

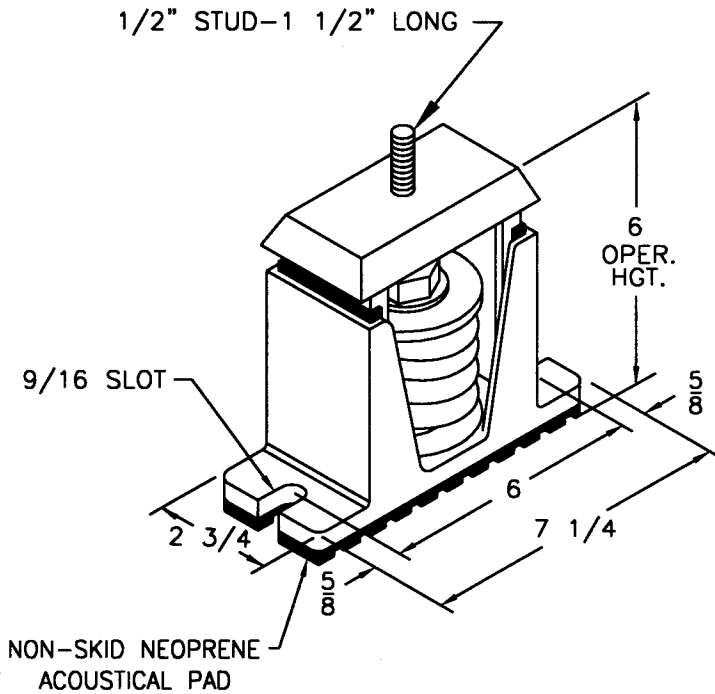


JOB: _____

CONTRACTOR: _____

P.O. NO. _____

TYPE "OCTLS1" HOUSED SPRING ISOLATOR



ISOLATOR TYPE	COLOR CODE	RATED LOAD	RATED DEFL.	
OCTLS1	1	Silver	100 #	1.00"
	2	Yellow	200 #	1.00"
	3	Red	295 #	.80"
	4	White	380 #	.80"
	5	Green	530 #	.80"
	6	Blue	750 #	.75"
	7	Orange	1125 #	.75"
	8	Gold	1500 #	.75"
OCTLS1	F30	Silver	155 #	1.85"
	F31	Yellow	220 #	1.70"
	F32	Red	310 #	1.55"
	F33	White	420 #	1.40"
	F34	Green	540 #	1.25"
	F35	Blue	710 #	1.15"
	F36	Orange	900 #	1.05"
	F37	Gold	1030 #	1.00"
	F38	Red/Silver	1275 #	1.00"
	F39	Red/Yellow	1630 #	1.00"
	F40	Red/White	2100 #	1.00"
F41	Red/Green	3000 #	1.00"	
OCTLS1	F60	Silver	60 #	3.00"
	F61	Yellow	109 #	2.72"
	F62	Red	155 #	2.58"
	F63	Green	210 #	2.32"
	F64	Blue	275 #	2.20"
	F65	Orange	365 #	2.08"
	F66	Gold	500 #	2.00"
	F67	White	715 #	2.00"
	F68	Red/Silver	945 #	2.00"
	F69	Red/Yellow	1190 #	2.00"

Note: All hardware zinc-electroplated.

VIBRATION ELIMINATOR CO. INC.

15 Dixon Avenue
Copiague, NY 11726

TEL. (631) 841-4000 FAX (631) 841-0020

Rev.

Rev.

Date:

Dwg. No.: